



*Model B60/CN-4CO34 Surface Mount Bench
with Green Powder Coat Frames,*

4 Ft. long with Construction Heart Redwood 3" x 4" Timbers.

- **Comfortable seat design may be accessed from either side**
- **Wide curves at the corners of the frames also serve as comfortable armrests**
- **Sturdy, formed and welded steel frame construction**
- **Powder Coat frame finish**
- **Precision drilled Hardwood 3" x 4" Timbers**
- **Quality construction throughout**

SPECIFICATIONS:

- **Model B60 Series** end frames are one-piece welded construction with frame to meet 2" nominal steel pipe size specifications (2-3/8" O.D.) and each corner to be formed on a nominal 6" centerline radius. Seat brackets are constructed of 3-1/8" x 2" x 7 Ga die-formed steel angle with holes to mount six 3" x 4" timbers.
- Bench is designed to be permanently surface mounted using 9/16" dia. holes provided in each base plate for use with concrete anchors (anchors not included).
- **Model B60-4** is a nom. 4 ft. in length.
- **Model B60-6** is a nom. 6 ft. in length.
- **Standard:** Frames are finished in Black powder coat (indicated by "/CB" in model no., e.g. B60/**CB**-4CO34).
- **Standard:** Lumber is Construction Heart Redwood 3" x 4" nominal sized timbers (indicated by "CO" in model no., e.g. B60/**CB**-4**CO**34). All timbers are precision drilled for assembly and have all exposed edges removed to a 3/8" radius with a bullnose profile timber used on outside positions.
- All fasteners are provided for assembly.
- **Optional:** Color choices of powder coated steel frame components. For optional colors choices see Specification Bulletin #SPC-CO-001.

AVAILABLE OPTIONS

4' or 6' models

Choice of colors of Powder Coat Finish on steel frame components

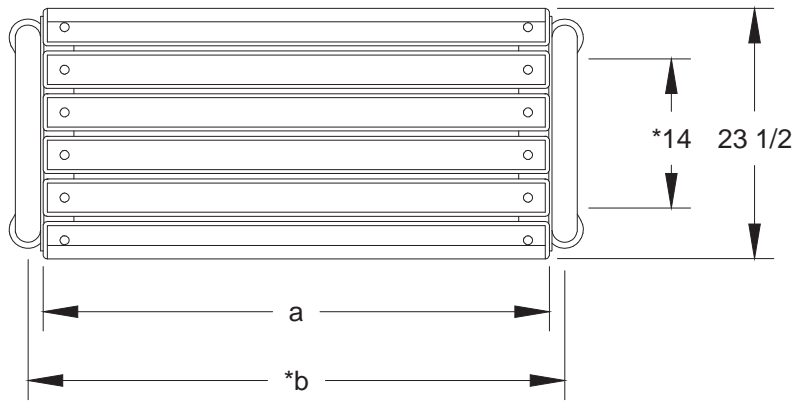
Custom Lettering and Plaques available (call for details)

RJ Thomas Mfg. Co., Inc.

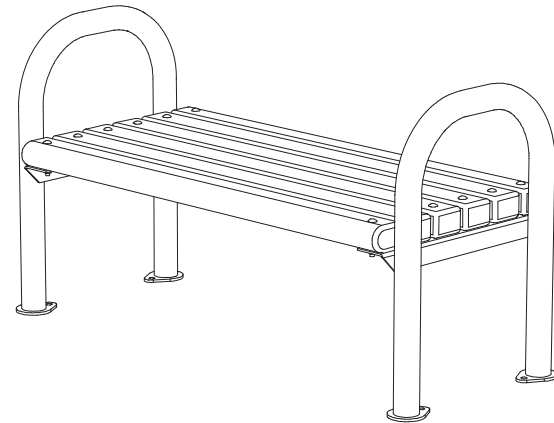
PO Box 946 • Cherokee, IA 51012-0946 • PH: 712-225-5115 • 800-762-5002 • FAX: 712-225-5796

E-mail: pilotrock@rjthomas.com • Web Site: <https://www.pilotrock.com>

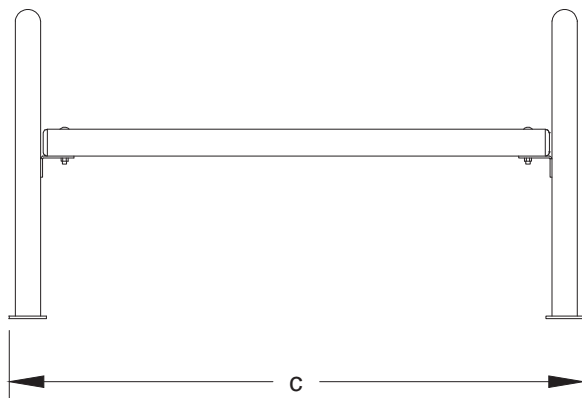
© 2021 RJ Thomas Mfg. Co., Inc. PILOT ROCK® Park Products is a registered trademark of RJ Thomas Mfg. Co., Inc.



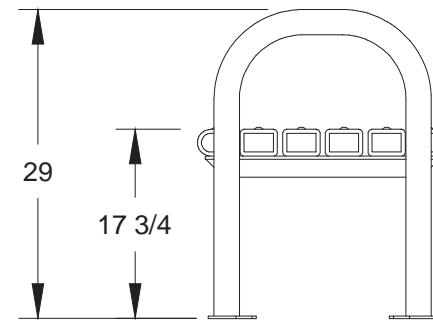
*CTR TO CTR OF
MOUNTING HOLES



MODEL NUMBER	DIMENSION		
	a	*b	c
B60-4	47 1/2	50 3/8	53 7/8
B60-6	71 1/2	74 3/8	77 7/8



ALL DIMENSIONS IN INCHES



ALL DIMENSIONS IN INCHES

RJThomas Mfg. Co., Inc.
P.O. Box 946 • Cherokee, IA 51012-0946

DRAWN BY
WWM

TITLE RIVERVIEW SERIES MODEL B60 4 AND 6 FOOT FLAT SURFACE MOUNT
BENCHES WITH 3" X 4" LUMBER TIMBERS

DATE 06-09-21

DWG. NO. AI-1553